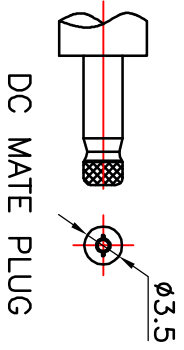
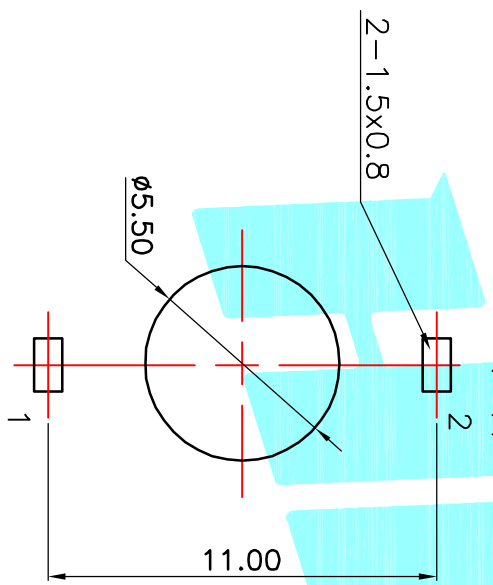


P.C.B LAYOUT(copper-sided view)



Rating:0.5A 30V DC
Contact Resistance:100 m Ω Max.
Operating temperature:-20 $^{\circ}$ C~70 $^{\circ}$ C
Operating force:3-20N
Operating Life:5,000cycles

| | | | | | | |
|------|-----------|---------|-----------------|------------|-----------|--------|
| ② | Terminal | 2 | Phosphor bronze | Au Plating | | |
| ① | Housing | 1 | Nylon | Black | | |
| ITEM | PART NAME | TERN.O. | QTY. | MATERIAL | FINISHING | REMARK |

| | | | | | |
|-----------|-----------|------------|---------------------|--|--|
| APPROVALS | | DATE | ELECTRONICS CO.,LTD | | |
| DRAWN | J.X.Zhang | 2013/11/11 | PHONE JACKES | | |
| CHECKED | | | DC-035 | | |

| | | | | | | |
|----------------|------|-------|--------------|------------|-------------|--------------|
| ECN NO. | REV. | DATE. | DESCRIPTION. | CHANGE. | CHECK. | APPRO. |
| | A | | NEW | | | |
| TOLERANCES ARE | | | | | | |
| | | | 30 μ 以上 | ± 0.30 | ANGLE | |
| | | | 10~30 | ± 0.20 | UNIT: mm | SCALE: 1:1 |
| | | | 5~10 | ± 0.15 | DRAWING NO. | PROJ. |
| | | | ~5 | ± 0.10 | | SHEET 1 OF 1 |