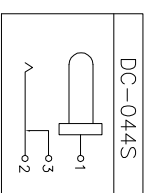
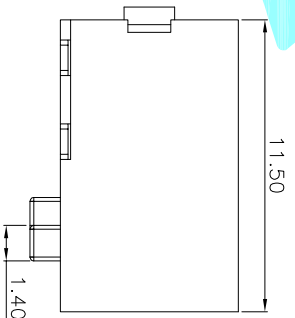
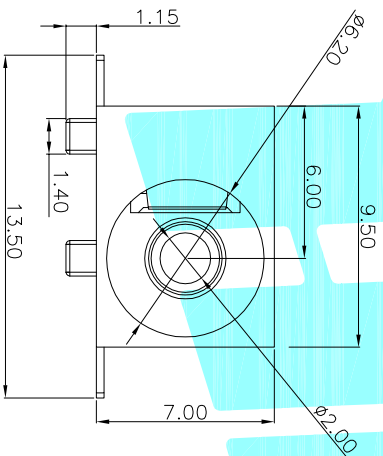
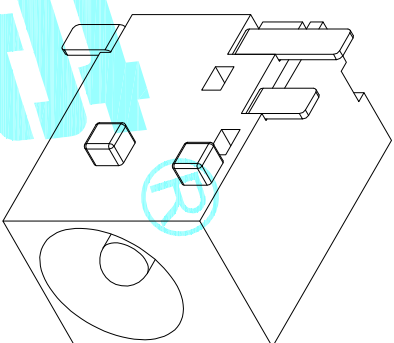
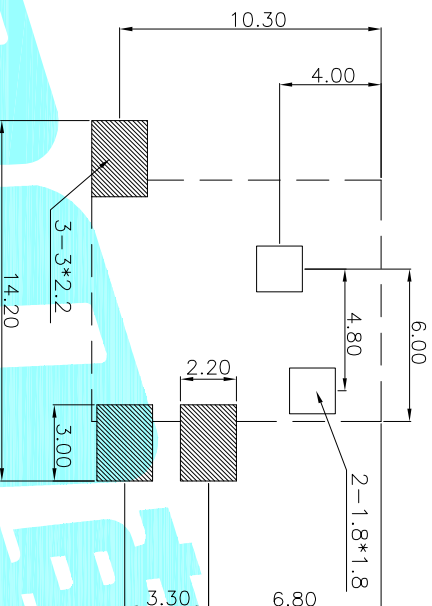
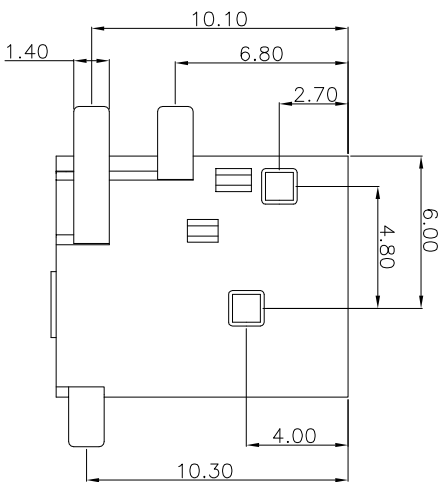


线路板开孔尺寸



Rating:0.5A 30V DC
 Contact Resistance:100 mΩ Max.
 Operating temperature:-20℃~70℃
 Operating force:3-20N
 Operating Life:5,000cycles

②	Terminal	3	Phosphor bronze	Au Plating		
①	Housing	1	Nylon	Black		
ITEM	PART NAME	TER.NO.	QTY.	MATERIAL	FINISHING	REMARK
APPROVALS		DATE				
DRAWN	J.X.Zhang	2013/11/11	ELECTRONICS CO.,LTD			
CHECKED			TITLE: PHONE JACKES			
APPROVALS			PART NO.	DC-044S		
TOLERANCES ARE		30~0.15	±0.30	ANGLE		
		10~0.20	±0.20	UNIT: mm	SCALE: 1:1	
		5~0.10	±0.15	DRAWING NO.		
		~5	±0.10		PROJ:	
					SHEET 1 OF 1	
ECN NO.	REV.	DATE.	DESCRIPTION.	CHANGE.	CHECK.	APPRO.
	A		NEW			

