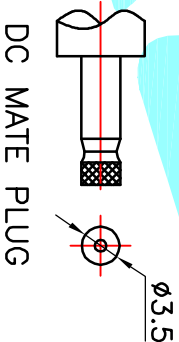
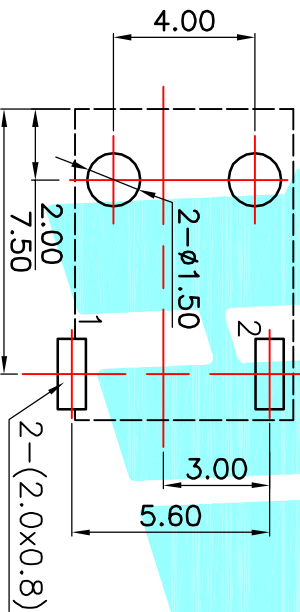


Model No.	1	2
PIN	$\phi 1.0$	$\phi 1.3$

P.C.B LAYOUT(copper-sided view)



Rating:0.5A 30V DC
 Contact Resistance:100 mΩ Max.
 Operating temperature:-20℃~70℃
 Operating force:3-20N
 Operating Life:5,000cycles

ECN NO.	REV.	DATE.	DESCRIPTION.	CHANGE.	CHECK.	APPRO.																																																																
	A		NEW																																																																			
<table border="1"> <tr> <td>② Terminal</td> <td>2</td> <td>Phosphor bronze</td> <td>Au Plating</td> </tr> <tr> <td>① Housing</td> <td>1</td> <td>Nylon</td> <td>Black</td> </tr> <tr> <td>ITEM</td> <td>PART NAME</td> <td>TERN.O.</td> <td>QTY.</td> <td>MATERIAL</td> <td>FINISHING</td> <td>REMARK</td> </tr> <tr> <td colspan="7">APPROVALS</td> </tr> <tr> <td colspan="2">DRAWN</td> <td>J.X.Zhang</td> <td>2013/11/11</td> <td colspan="3">TITLE: PHONE JACKES</td> </tr> <tr> <td colspan="2">CHECKED</td> <td></td> <td></td> <td colspan="3">PART NO. DC-047B</td> </tr> <tr> <td colspan="2">APPROVALS</td> <td></td> <td></td> <td colspan="3">SCALE: 1:1</td> </tr> <tr> <td colspan="2">TOLERANCES ARE</td> <td>30^{±0.15}</td> <td>±0.30</td> <td>ANGLE</td> <td>UNIT: mm</td> <td>PROJ. </td> </tr> <tr> <td colspan="2"></td> <td>10^{±0.30}</td> <td>±0.20</td> <td></td> <td></td> <td></td> </tr> <tr> <td colspan="2"></td> <td>5^{±0.10}</td> <td>±0.15</td> <td>±Z</td> <td>DRAWING NO.</td> <td>SHEET 1 OF 1</td> </tr> </table>							② Terminal	2	Phosphor bronze	Au Plating	① Housing	1	Nylon	Black	ITEM	PART NAME	TERN.O.	QTY.	MATERIAL	FINISHING	REMARK	APPROVALS							DRAWN		J.X.Zhang	2013/11/11	TITLE: PHONE JACKES			CHECKED				PART NO. DC-047B			APPROVALS				SCALE: 1:1			TOLERANCES ARE		30 ^{±0.15}	±0.30	ANGLE	UNIT: mm	PROJ.			10 ^{±0.30}	±0.20						5 ^{±0.10}	±0.15	±Z	DRAWING NO.	SHEET 1 OF 1
② Terminal	2	Phosphor bronze	Au Plating																																																																			
① Housing	1	Nylon	Black																																																																			
ITEM	PART NAME	TERN.O.	QTY.	MATERIAL	FINISHING	REMARK																																																																
APPROVALS																																																																						
DRAWN		J.X.Zhang	2013/11/11	TITLE: PHONE JACKES																																																																		
CHECKED				PART NO. DC-047B																																																																		
APPROVALS				SCALE: 1:1																																																																		
TOLERANCES ARE		30 ^{±0.15}	±0.30	ANGLE	UNIT: mm	PROJ.																																																																
		10 ^{±0.30}	±0.20																																																																			
		5 ^{±0.10}	±0.15	±Z	DRAWING NO.	SHEET 1 OF 1																																																																
 ELECTRONICS CO.,LTD																																																																						