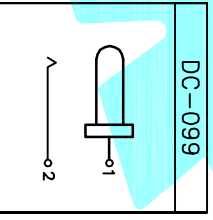
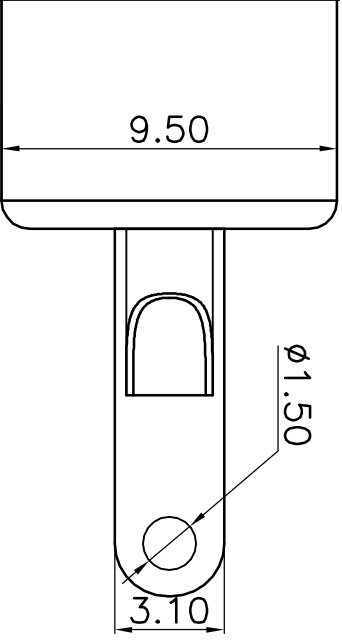
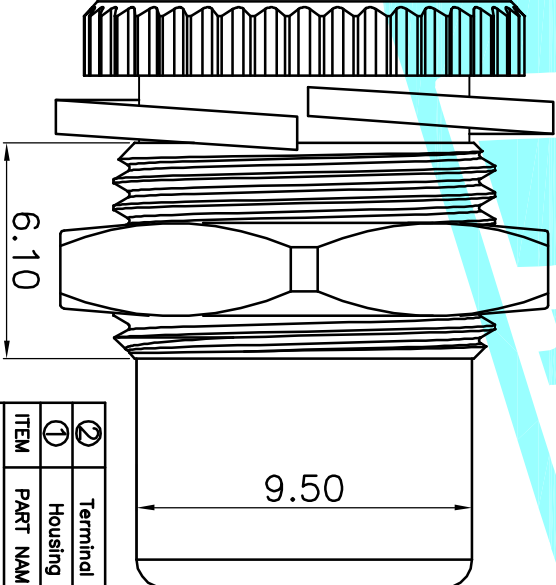


|           |          |          |
|-----------|----------|----------|
| Model No. | DC-099-1 | DC-099-2 |
| PIN       | ∅2.0     | ∅2.5     |



Rating:0.5A 30V DC  
 Contact Resistance:100 mΩ Max.  
 Operating temperature:-20℃~70℃  
 Operating force:3-20N  
 Operating Life:5,000cycles



|   |           |                     |                 |                     |             |              |   |          |   |                 |            |  |  |   |         |   |       |       |  |  |      |           |         |      |          |           |        |           |  |      |  |  |  |  |       |  |           |  |            |  |  |         |  |  |  |                     |  |  |           |  |  |  |                 |  |  |                |  |                     |       |       |          |            |  |  |                     |       |  |  |       |  |  |                    |       |    |             |              |
|---|-----------|---------------------|-----------------|---------------------|-------------|--------------|---|----------|---|-----------------|------------|--|--|---|---------|---|-------|-------|--|--|------|-----------|---------|------|----------|-----------|--------|-----------|--|------|--|--|--|--|-------|--|-----------|--|------------|--|--|---------|--|--|--|---------------------|--|--|-----------|--|--|--|-----------------|--|--|----------------|--|---------------------|-------|-------|----------|------------|--|--|---------------------|-------|--|--|-------|--|--|--------------------|-------|----|-------------|--------------|
| ECN NO.   | REV.      | DATE.               | DESCRIPTION.    | CHANGE.             | CHECK.      | APPRO.       |   |          |   |                 |            |  |  |   |         |   |       |       |  |  |      |           |         |      |          |           |        |           |  |      |  |  |  |  |       |  |           |  |            |  |  |         |  |  |  |                     |  |  |           |  |  |  |                 |  |  |                |  |                     |       |       |          |            |  |  |                     |       |  |  |       |  |  |                    |       |    |             |              |
|   | A         |                     | NEW             |                     |             |              |   |          |   |                 |            |  |  |   |         |   |       |       |  |  |      |           |         |      |          |           |        |           |  |      |  |  |  |  |       |  |           |  |            |  |  |         |  |  |  |                     |  |  |           |  |  |  |                 |  |  |                |  |                     |       |       |          |            |  |  |                     |       |  |  |       |  |  |                    |       |    |             |              |
| <table border="1"> <tr> <td>①</td> <td>Terminal</td> <td>2</td> <td>Phosphor bronze</td> <td>Au Plating</td> <td></td> <td></td> </tr> <tr> <td>②</td> <td>Housing</td> <td>1</td> <td>Nylon</td> <td>Black</td> <td></td> <td></td> </tr> <tr> <td>ITEM</td> <td>PART NAME</td> <td>TERN.O.</td> <td>QTY.</td> <td>MATERIAL</td> <td>FINISHING</td> <td>REMARK</td> </tr> <tr> <td colspan="2">APPROVALS</td> <td colspan="2">DATE</td> <td colspan="3"></td> </tr> <tr> <td colspan="2">DRAWN</td> <td colspan="2">J.X.Zhang</td> <td colspan="3">2013/11/11</td> </tr> <tr> <td colspan="2">CHECKED</td> <td colspan="2"></td> <td colspan="3">TITLE: PHONE JACKES</td> </tr> <tr> <td colspan="2">APPROVALS</td> <td colspan="2"></td> <td colspan="3">PART NO. DC-099</td> </tr> <tr> <td colspan="2">TOLERANCES ARE</td> <td>30<sup>±0.15</sup></td> <td>±0.30</td> <td>ANGLE</td> <td>UNIT: mm</td> <td>SCALE: 1:1</td> </tr> <tr> <td colspan="2"></td> <td>10<sup>±0.10</sup></td> <td>±0.20</td> <td></td> <td></td> <td>PROJ. </td> </tr> <tr> <td colspan="2"></td> <td>5<sup>±0.10</sup></td> <td>±0.15</td> <td>±Z</td> <td>DRAWING NO.</td> <td>SHEET 1 OF 1</td> </tr> </table> |           |                     |                 |                     |             |              | ① | Terminal | 2 | Phosphor bronze | Au Plating |  |  | ② | Housing | 1 | Nylon | Black |  |  | ITEM | PART NAME | TERN.O. | QTY. | MATERIAL | FINISHING | REMARK | APPROVALS |  | DATE |  |  |  |  | DRAWN |  | J.X.Zhang |  | 2013/11/11 |  |  | CHECKED |  |  |  | TITLE: PHONE JACKES |  |  | APPROVALS |  |  |  | PART NO. DC-099 |  |  | TOLERANCES ARE |  | 30 <sup>±0.15</sup> | ±0.30 | ANGLE | UNIT: mm | SCALE: 1:1 |  |  | 10 <sup>±0.10</sup> | ±0.20 |  |  | PROJ. |  |  | 5 <sup>±0.10</sup> | ±0.15 | ±Z | DRAWING NO. | SHEET 1 OF 1 |
| ①   | Terminal  | 2                   | Phosphor bronze | Au Plating          |             |              |   |          |   |                 |            |  |  |   |         |   |       |       |  |  |      |           |         |      |          |           |        |           |  |      |  |  |  |  |       |  |           |  |            |  |  |         |  |  |  |                     |  |  |           |  |  |  |                 |  |  |                |  |                     |       |       |          |            |  |  |                     |       |  |  |       |  |  |                    |       |    |             |              |
| ②   | Housing   | 1                   | Nylon           | Black               |             |              |   |          |   |                 |            |  |  |   |         |   |       |       |  |  |      |           |         |      |          |           |        |           |  |      |  |  |  |  |       |  |           |  |            |  |  |         |  |  |  |                     |  |  |           |  |  |  |                 |  |  |                |  |                     |       |       |          |            |  |  |                     |       |  |  |       |  |  |                    |       |    |             |              |
| ITEM  | PART NAME | TERN.O.             | QTY.            | MATERIAL            | FINISHING   | REMARK       |   |          |   |                 |            |  |  |   |         |   |       |       |  |  |      |           |         |      |          |           |        |           |  |      |  |  |  |  |       |  |           |  |            |  |  |         |  |  |  |                     |  |  |           |  |  |  |                 |  |  |                |  |                     |       |       |          |            |  |  |                     |       |  |  |       |  |  |                    |       |    |             |              |
| APPROVALS   |           | DATE                |                 |                     |             |              |   |          |   |                 |            |  |  |   |         |   |       |       |  |  |      |           |         |      |          |           |        |           |  |      |  |  |  |  |       |  |           |  |            |  |  |         |  |  |  |                     |  |  |           |  |  |  |                 |  |  |                |  |                     |       |       |          |            |  |  |                     |       |  |  |       |  |  |                    |       |    |             |              |
| DRAWN   |           | J.X.Zhang           |                 | 2013/11/11          |             |              |   |          |   |                 |            |  |  |   |         |   |       |       |  |  |      |           |         |      |          |           |        |           |  |      |  |  |  |  |       |  |           |  |            |  |  |         |  |  |  |                     |  |  |           |  |  |  |                 |  |  |                |  |                     |       |       |          |            |  |  |                     |       |  |  |       |  |  |                    |       |    |             |              |
| CHECKED   |           |                     |                 | TITLE: PHONE JACKES |             |              |   |          |   |                 |            |  |  |   |         |   |       |       |  |  |      |           |         |      |          |           |        |           |  |      |  |  |  |  |       |  |           |  |            |  |  |         |  |  |  |                     |  |  |           |  |  |  |                 |  |  |                |  |                     |       |       |          |            |  |  |                     |       |  |  |       |  |  |                    |       |    |             |              |
| APPROVALS   |           |                     |                 | PART NO. DC-099     |             |              |   |          |   |                 |            |  |  |   |         |   |       |       |  |  |      |           |         |      |          |           |        |           |  |      |  |  |  |  |       |  |           |  |            |  |  |         |  |  |  |                     |  |  |           |  |  |  |                 |  |  |                |  |                     |       |       |          |            |  |  |                     |       |  |  |       |  |  |                    |       |    |             |              |
| TOLERANCES ARE  |           | 30 <sup>±0.15</sup> | ±0.30           | ANGLE               | UNIT: mm    | SCALE: 1:1   |   |          |   |                 |            |  |  |   |         |   |       |       |  |  |      |           |         |      |          |           |        |           |  |      |  |  |  |  |       |  |           |  |            |  |  |         |  |  |  |                     |  |  |           |  |  |  |                 |  |  |                |  |                     |       |       |          |            |  |  |                     |       |  |  |       |  |  |                    |       |    |             |              |
|   |           | 10 <sup>±0.10</sup> | ±0.20           |                     |             | PROJ.        |   |          |   |                 |            |  |  |   |         |   |       |       |  |  |      |           |         |      |          |           |        |           |  |      |  |  |  |  |       |  |           |  |            |  |  |         |  |  |  |                     |  |  |           |  |  |  |                 |  |  |                |  |                     |       |       |          |            |  |  |                     |       |  |  |       |  |  |                    |       |    |             |              |
|   |           | 5 <sup>±0.10</sup>  | ±0.15           | ±Z                  | DRAWING NO. | SHEET 1 OF 1 |   |          |   |                 |            |  |  |   |         |   |       |       |  |  |      |           |         |      |          |           |        |           |  |      |  |  |  |  |       |  |           |  |            |  |  |         |  |  |  |                     |  |  |           |  |  |  |                 |  |  |                |  |                     |       |       |          |            |  |  |                     |       |  |  |       |  |  |                    |       |    |             |              |
| <br>ELECTRONICS CO.,LTD   |           |                     |                 |                     |             |              |   |          |   |                 |            |  |  |   |         |   |       |       |  |  |      |           |         |      |          |           |        |           |  |      |  |  |  |  |       |  |           |  |            |  |  |         |  |  |  |                     |  |  |           |  |  |  |                 |  |  |                |  |                     |       |       |          |            |  |  |                     |       |  |  |       |  |  |                    |       |    |             |              |