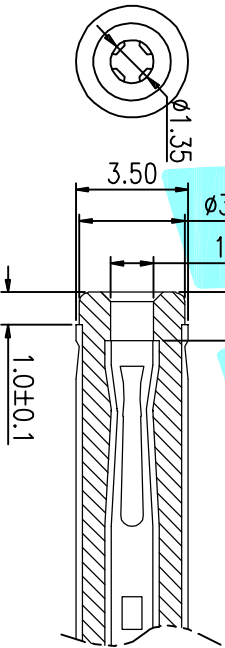
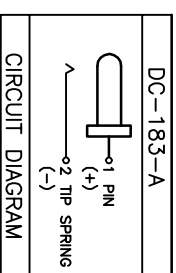
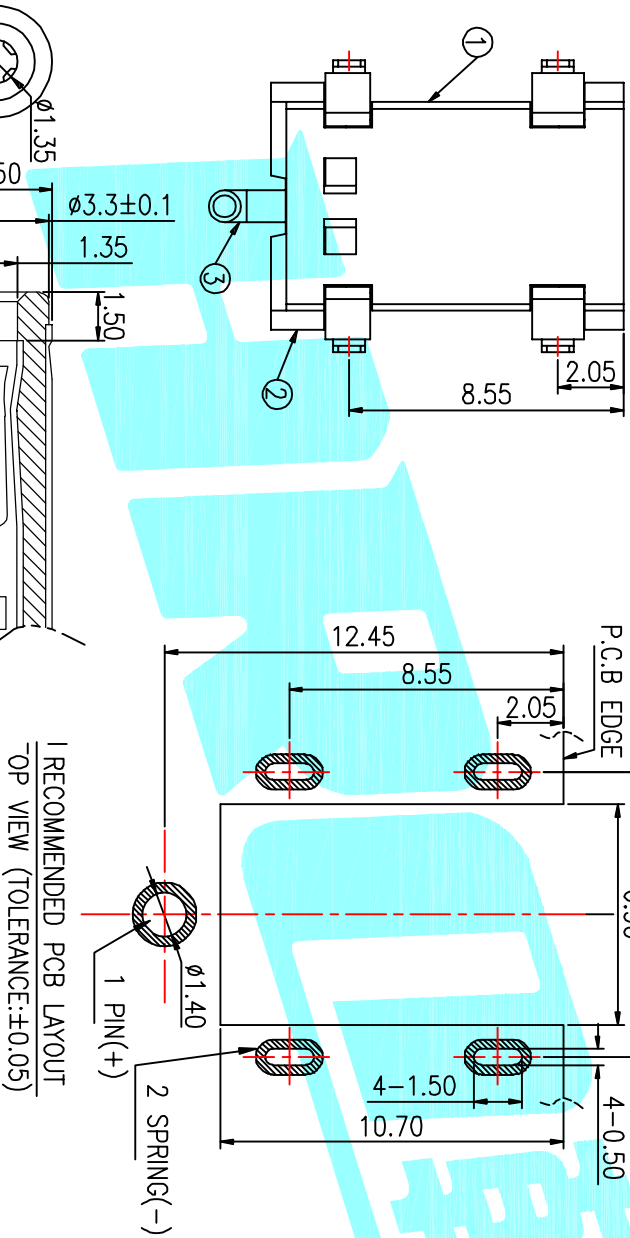


**Specifications:**  
 Rating: 3A 24V  
 Contact Resistance: 30 mΩ Max.  
 Operating temperature: -20°C~70°C  
 Operating force: 2.94~29.4N  
 Operating Life: 5,000cycles Min

DC JACK INSERT DEPTH



DC MATE PLUG

ECN NO.	REV.	DATE.	DESCRIPTION.	CHANGE.	CHECK.	APPRO.																																																
	A		NEW																																																			
<table border="1"> <tr> <td>APPROVALS</td> <td>DATE</td> <td>TITLE:</td> <td>PART NO.</td> <td>SCALE:</td> <td>PROJ.</td> </tr> <tr> <td>DRAWN J.X.Zhang</td> <td>2013/11/11</td> <td>ELECTRONICS CO.,LTD</td> <td>DC-183</td> <td>1:1</td> <td>PROJ. DC JACKES</td> </tr> <tr> <td>CHECKED</td> <td></td> <td></td> <td></td> <td></td> <td></td> </tr> <tr> <td>APPROVALS</td> <td></td> <td></td> <td></td> <td></td> <td></td> </tr> <tr> <td>TOLERANCES ARE</td> <td>30~0.1</td> <td>±0.30</td> <td>ANGLE</td> <td></td> <td></td> </tr> <tr> <td></td> <td>10~30</td> <td>±0.20</td> <td>UNIT: mm</td> <td></td> <td></td> </tr> <tr> <td></td> <td>5~10</td> <td>±0.15</td> <td>DRAWING NO.</td> <td></td> <td></td> </tr> <tr> <td></td> <td>~ 5</td> <td>±0.10</td> <td></td> <td></td> <td></td> </tr> </table>							APPROVALS	DATE	TITLE:	PART NO.	SCALE:	PROJ.	DRAWN J.X.Zhang	2013/11/11	ELECTRONICS CO.,LTD	DC-183	1:1	PROJ. DC JACKES	CHECKED						APPROVALS						TOLERANCES ARE	30~0.1	±0.30	ANGLE				10~30	±0.20	UNIT: mm				5~10	±0.15	DRAWING NO.				~ 5	±0.10			
APPROVALS	DATE	TITLE:	PART NO.	SCALE:	PROJ.																																																	
DRAWN J.X.Zhang	2013/11/11	ELECTRONICS CO.,LTD	DC-183	1:1	PROJ. DC JACKES																																																	
CHECKED																																																						
APPROVALS																																																						
TOLERANCES ARE	30~0.1	±0.30	ANGLE																																																			
	10~30	±0.20	UNIT: mm																																																			
	5~10	±0.15	DRAWING NO.																																																			
	~ 5	±0.10																																																				

