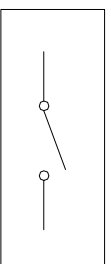
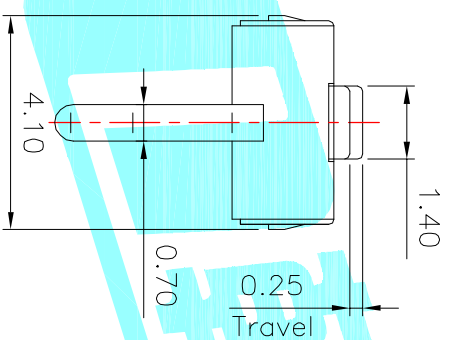
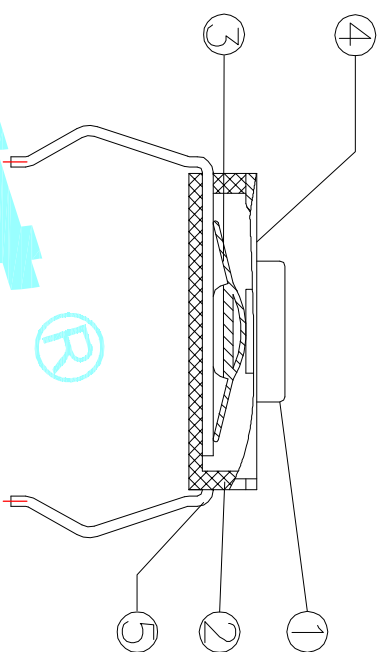


PCB Layout(Pattern Side)



Circuit Diagram



PART NO	NO.1
1	vigor
2	90±30
3	130±30
4	180±30
5	250±30
	350±50

PART NO	NO.2
Contact	MATERIAL/QTY.
S	SUS/1PC
C	C5210/1PC
D	SUS/2PCS
F	C5210/2PCS

ITEM	TERMINAL	QTY.	MATERIAL	FINISHING	REMARK
⑤	TERMINAL	2	Brass(0.20t)	Ag-PLATED	
④	Cover	1	Sheet Iron	Plating Nickel	
③	Contact	1	Stainless Steel	Ag-PLATED	
②	Base	1	NYLON	Black	
①	Keystroke	1	NYLON	White	

APPROVALS		DATE		TITLE:	
DRAWN	J.X.Zhang	DATE	2012/3/18	TACT SWITCHS	
CHECKED				ELECTRONICS CO.,LTD	
APPROVALS				PART NO. K2-1107DR-AD0W-00	
TOLERANCES ARE		30~12.5	±0.30	ANGLE	PROJ.
	10~30	±0.20		UNIT: mm	SCALE: 1:1
	5~10	±0.15		DRAWING NO.	SHEET 1 OF 1
	~5	±0.10			

ECN NO.	REV.	DATE.	DESCRIPTION.	CHANGE.	CHECK.	APPRO.
	A		NEW			