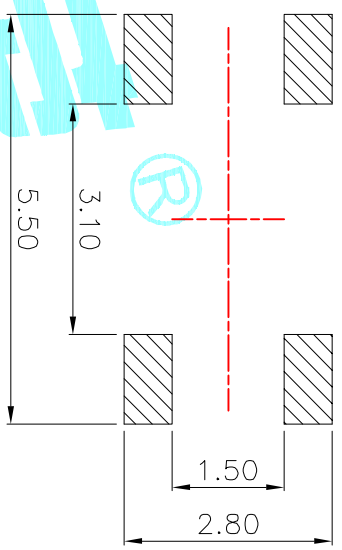
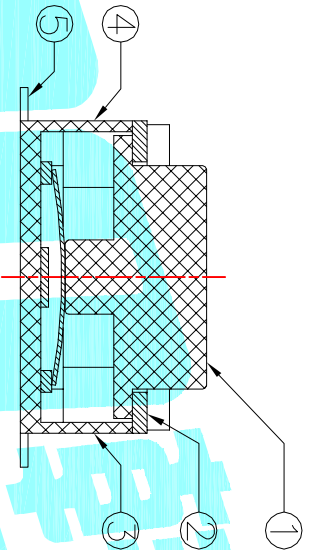
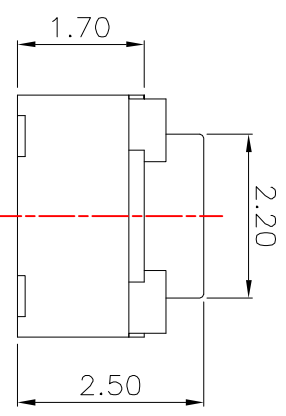
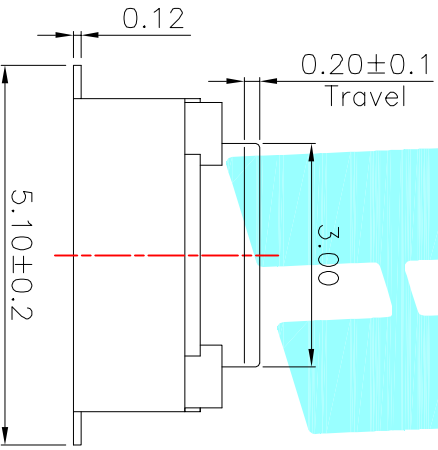
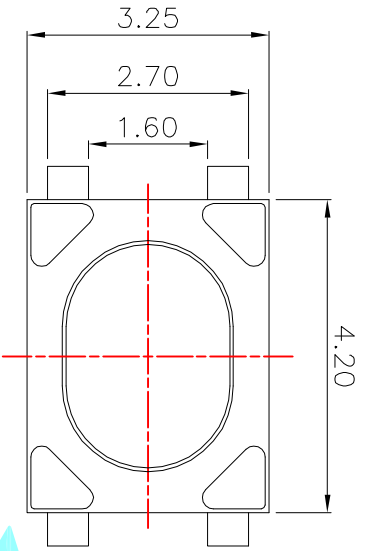
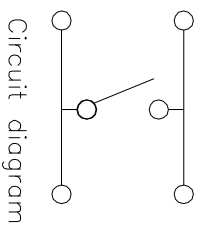


Typical Specifications :
 1. Rating : DC 12V 50mA
 2. Life:100,000 Cycles Min.



NO.1	
PART NO	VIGOR
1	90±30
3	180±30
4	250±30

NO.2	
PART NO	MATERIAL/QTY
S	SUS/1PC
D	SUS/2PCS

NO.3-NO.4	
PART NO	NOTE
01~99	SERIAL NUMBER

ITEM	PART NAME	TER'NO.	QTY.	MATERIAL	FINISHING	REMARK
⑤	Terminal	---	4	Phosphor Bronze	Plating silver	---
④	Contact	---	1	F.Ag/SUS	Plating silver	---
③	Base	---	1	LCP	White	---
②	Cover	---	1	SUS	Natural	---
①	Keystroke	---	1	LCP	White	---

APPROVALS		DATE
DRAWN	xu qi feng	2014.11.20

APPROVALS		TITLE:	PART NO.	SCALE:	PROJ.
CHECKED		TACT SWITCHS	K2-1808SN-ADDW-00	1:1	④
APPROVALS					

ECN NO.	REV.	DATE.	DESCRIPTION.	CHANGE.	CHECK.	APPRO.
	A		NEW			