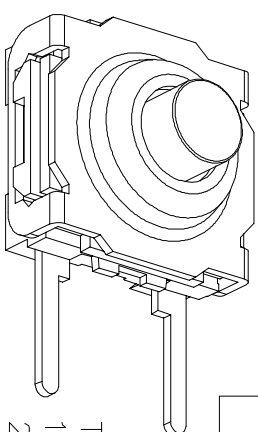
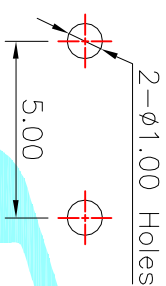
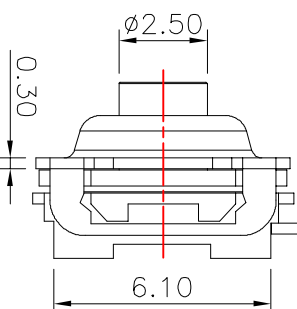
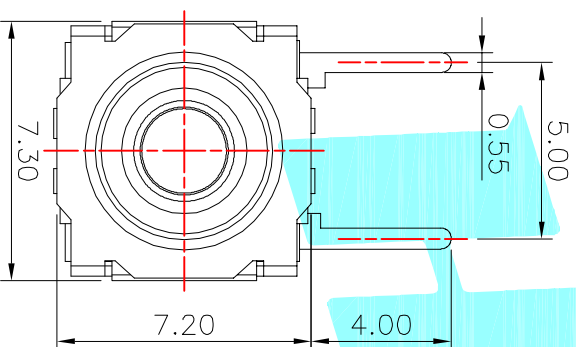
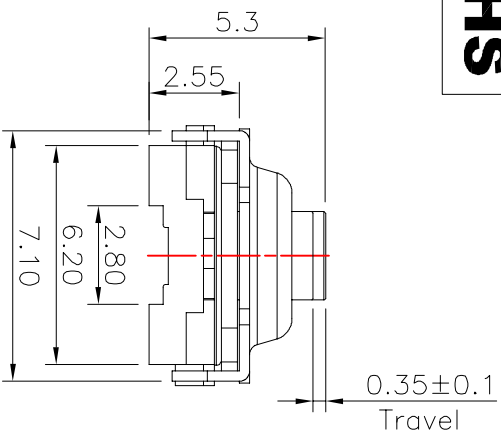


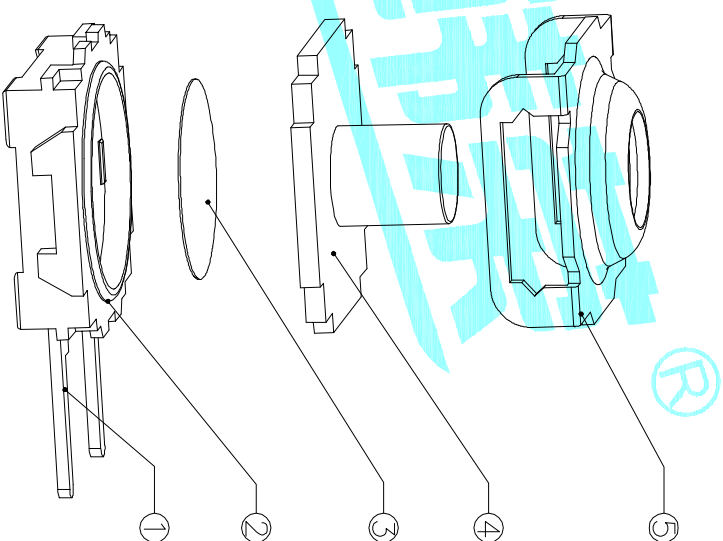
Circuit Diagram



Typical Specifications :
 1. Rating : DC 12V 50mA
 2. Life:100,000 Cycles Min.



PCB Layout (Pattern side)



NO.1	
PART NO	vigor
4	250±30
5	350±50

NO.2	
PART NO	MATERIAL/QTY
S	SUS/1PC
C	C5210/1PC
D	SUS/2PCS
F	C5210/2PCS

NO.3-NO.4	
PART NO	NOTE
01~99	SERIAL NUMBER

⑤	Cover	—	1	Brass	Tin Plated	—
④	Keystroke	—	1	Silica gel	Red	—
③	Contact	—	1	F.Ag/C5210	Plating silver	—
②	Base	—	1	PPA	Black	—
①	Terminal	—	4	Copper(0.3t)	Plating silver	—

APPROVALS

DRAWN xu qi feng 2014.11.26



ELECTRONICS CO.,LTD

CHECKED

TITLE: TACT SWITCHS

APPROVALS

PART NO. K2-1846DF-AD0W-00

ECN NO.	REV.	DATE.	DESCRIPTION.	CHANGE.	CHECK.	APPRO.
—	A	—	NEW	—	—	—

TOLERANCES ARE	±0.30	±0.20	±0.15	±2°	DRAWING NO.	SCALE: 1:1	PROJ.	SHEET 1 OF 1
30~12.5	10~30	5~10	~5	~10	—	—	—	—