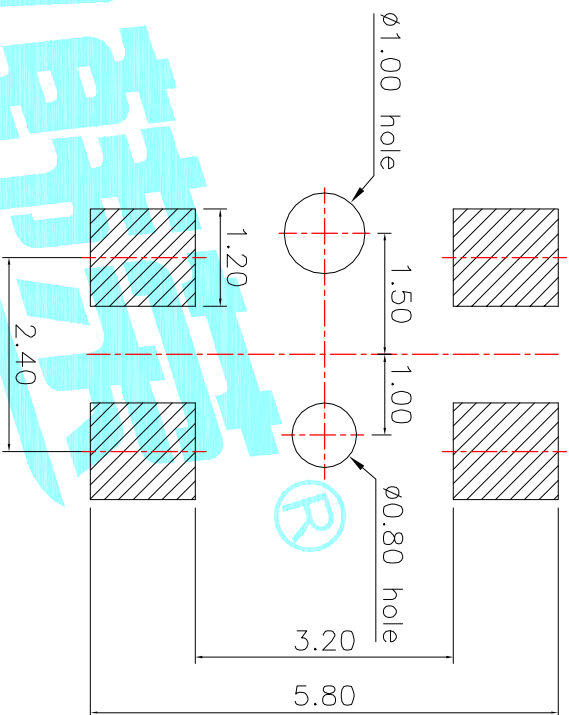
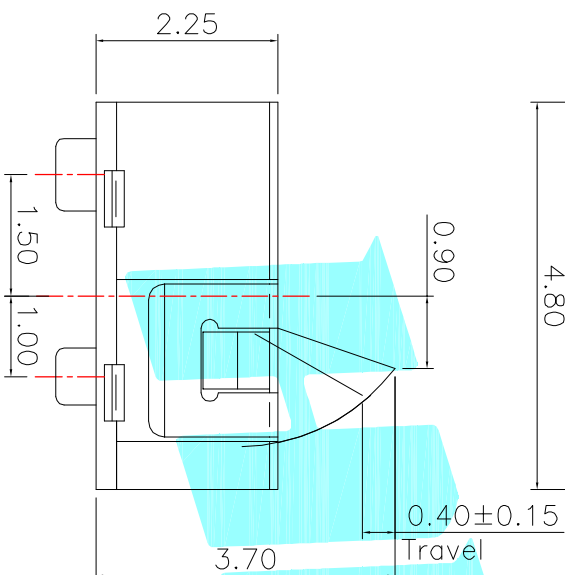


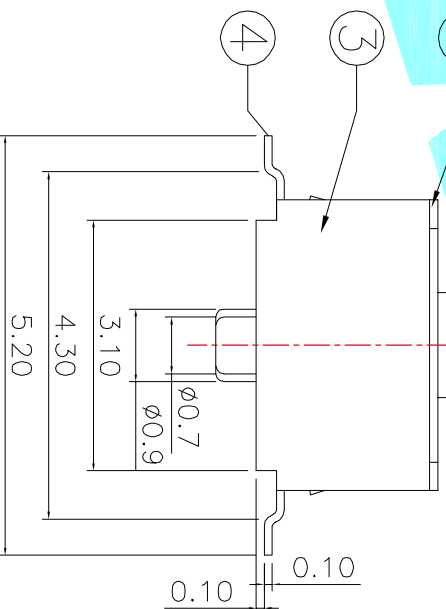
Circuit Diagram



PCB Layout(Pattern side)



NOTE:  
 Rating: DC 30V 0.1A  
 Operating Force: 30±10gf  
 Lifetime: 100,000 Cycles



PART NO.		K5-1215SA-01	K5-1215SN-01
DRAWN		J.X.Zhong	2014/7/21
CHECKED			
APPROVALS			
TOLERANCES ARE		30~12.5 ±0.30	ANGLE
		10~30 ±0.20	UNIT: mm
		5~10 ±0.15	SCALE: 1:1
		~5 ±0.10	DRAWING NO.
			SHEET 1 OF 1

ITEM	PART NAME	TER'NO.	QTY.	MATERIAL	FINISHING	REMARK
⑤	Contact Spring	—	1	Be Alloy	Ag Plated	—
④	Terminal	—	4	Phosphor Bronze	Ag Plated	—
③	Base	—	1	LCP	Black	—
②	Cover	—	1	SUS	Natural	—
①	Slider	—	1	PA46	Black	—

APPROVALS	DATE	TITLE:	DETECTOR SWITCHS
DRAWN	J.X.Zhong	2014/7/21	
CHECKED			
APPROVALS			

ECN NO.	REV.	DATE.	DESCRIPTION.	CHANGE.	CHECK.	APPRO.
	A		NEW			



ELECTRONICS CO.,LTD