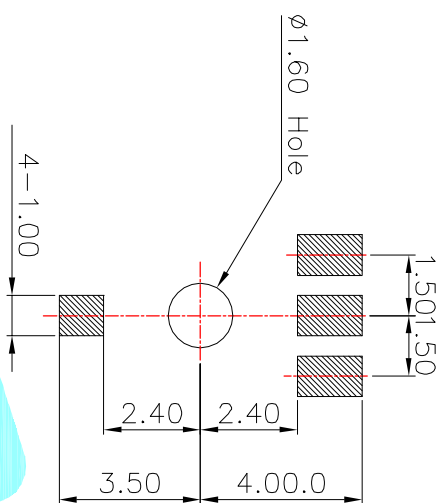
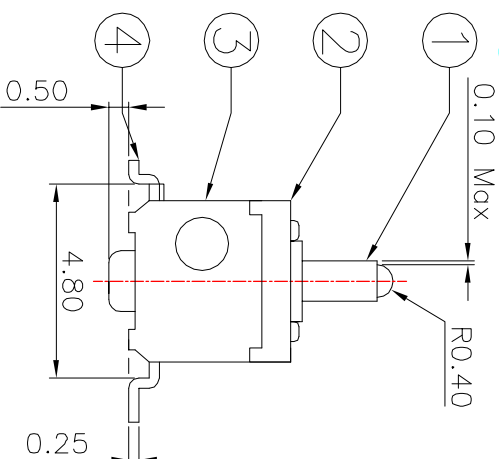
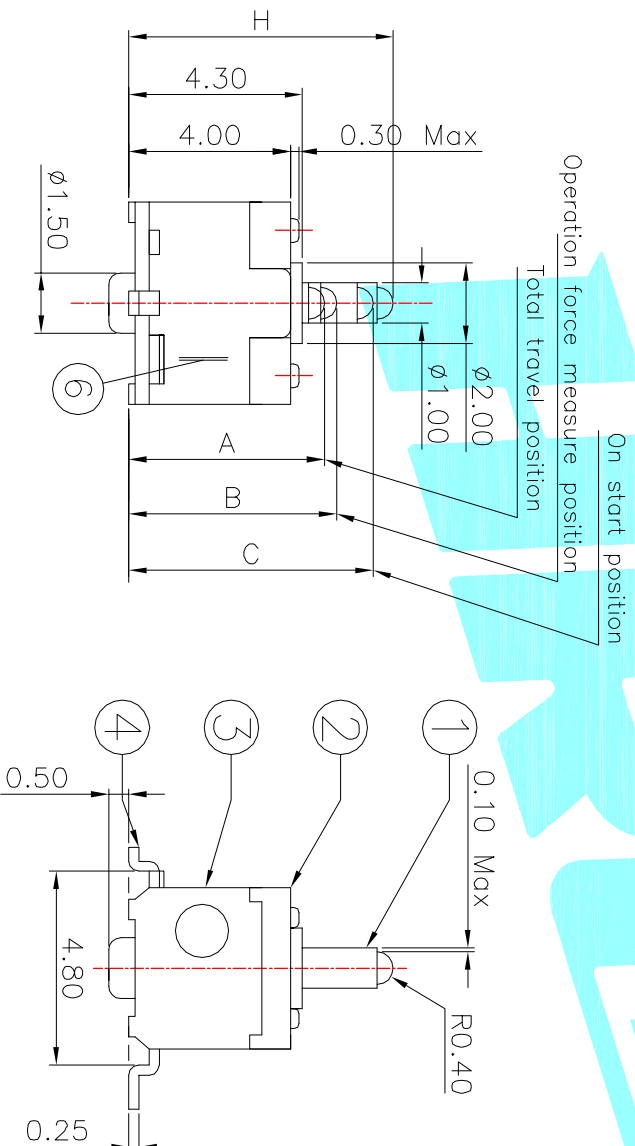
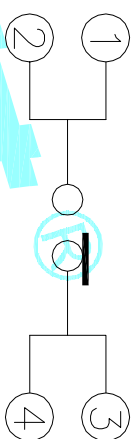


Terminal No.①



P.C.B LAYOUT
TOP VIEW

CIRCUIT DIAGRAM



NOTE:
Rating: DC 30V 0.1A
Operating Force: 20±10gf
Lifetime: 100,000 Cycles

PART NO.	H	A	B	C
K5-1611SA-01	6.5±0.3	4.85Max	5.15	6.05
K5-1611SA-02	8.0±0.3	6.35Max	6.65	7.55

ITEM	PART NAME	TER'NO.	QTY.	MATERIAL	FINISHING	REMARK
⑥	Spring	—	1	SUS#0.17	Ag Plated	—
⑤	Contact Spring	—	1	Phosphor Bronze	Ag Plated	—
④	Terminal	—	4	Phosphor Bronze	Ag Plated	—
③	Base	—	1	PA46	Black	—
②	Cover	—	1	PA46	Black	—
①	Slider	—	1	PA46	Black	—

APPROVALS DATE
DRAWN J.X.Zhong 2013/8/29
ELECTRONICS CO.,LTD

ECN NO.	REV.	DATE.	DESCRIPTION.	CHANGE.	CHECK.	APPRO.
	A		NEW			

CHECKED	APPROVALS	TOLERANCES ARE	ANGLE	UNIT:	SCALE:	PROJ:
		30°±0.1° ±0.30 10°~30 ±0.20 5°~10 ±0.15 ~5 ±0.10	±2°	mm	1:1	1 OF 1



TITLE: DETECTOR SWITCHES