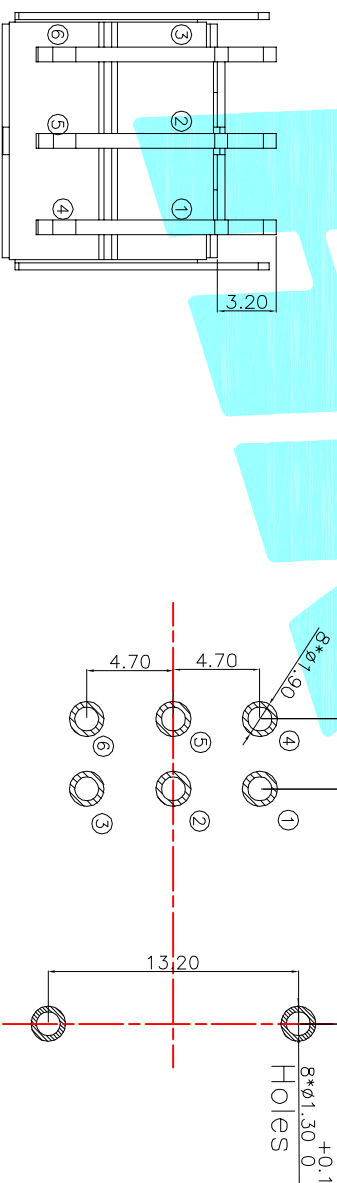
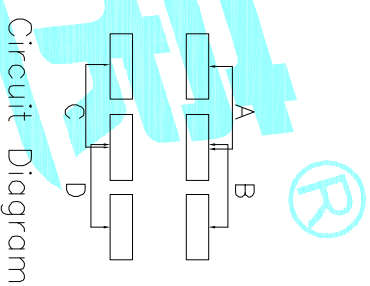
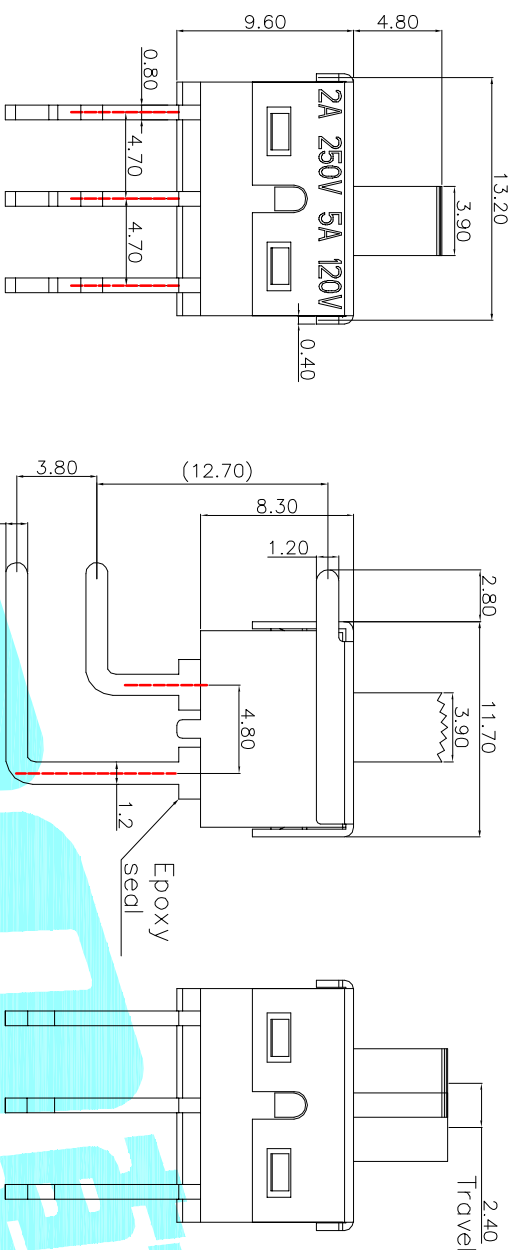


- Typical Specifications
1. Rating : 5A120V AC
  2. Insulation Resistance:1,000M min
  3. Dielectric Strength:1,500V RMS
  4. Operating Life : 30,000 cycles



PCB layout(pattern side)

PART NO	vigor
1	300±100

ITEM	PART NAME	TER'NO.	QTY.	MATERIAL	FINISHING	REMARK
⑤	Terminal	—	6	Copper	Plating silver	—
④	Contact	—	1	F.Ag/C5210	—	—
③	Base	—	1	PA	Black	—
②	Cover	—	1	SPCC	Plating Sn	—
①	Keystroke	—	1	PA	RED	—

APPROVALS		DATE	TITLE:	
DRAWN	JKUN.LU	2015.05.25	Slide SWITCHS	
 ELECTRONICS CO.,LTD				

ECN NO.	REV.	DATE.	DESCRIPTION.	CHANGE.	CHECK.	APPRO.	TOLERANCES ARE	30~12.7 ±0.30	±0.30	ANGLE	PART NO.	SCALE: 1:1	PROJ:
	A		NEW				10~30 ±0.20	±0.20			K3-2391B		
							5~10 ±0.15	±0.15	±2'	DRAWING NO.			
							~5 ±0.10	±0.10					SHEET 1 OF 1