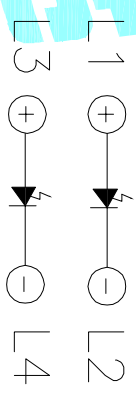
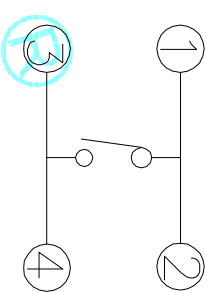
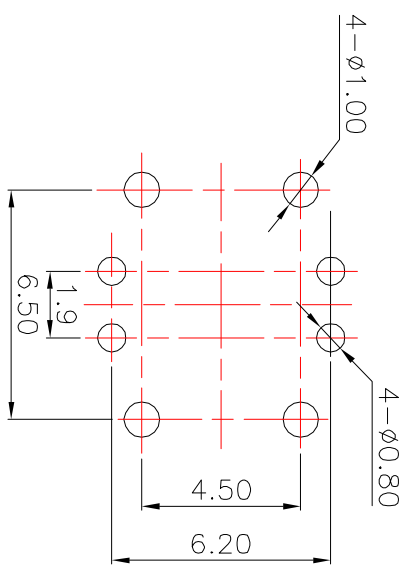
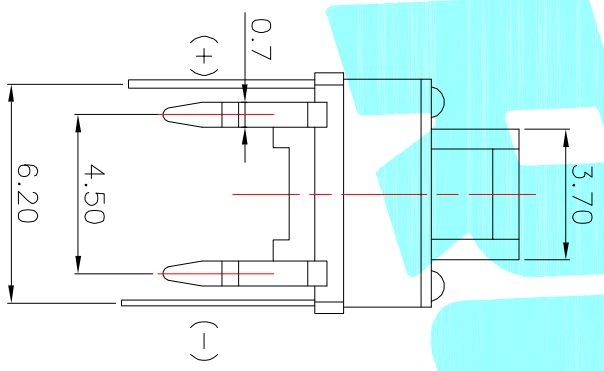
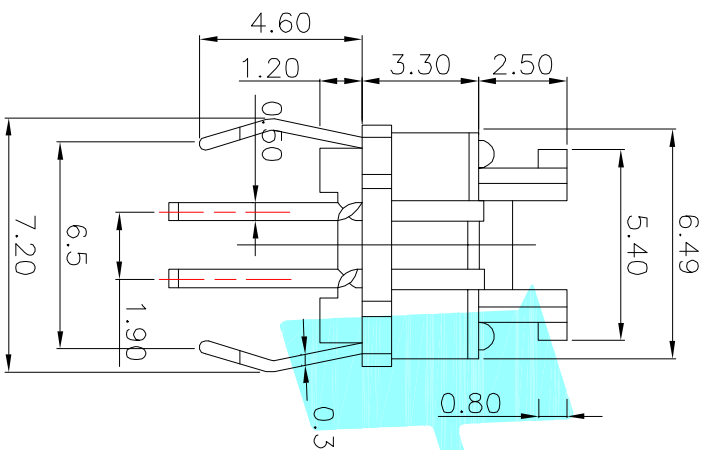


LED colour(LED颜色)	Part No. (料号)
Red(红色)Blue(蓝色)	K6-6151D01



Circuit Diagram



PCBLayout(Pattern Side)

② Terminal	3	Phosphor bronze	Au Plating
① Housing	1	Nylon	Black
ITEM PART NAME	TERN.O.	QTY.	MATERIAL FINISHING
APPROVALS	DATE	REMARK	

DRAWN	J.X.Zhang	DATE	2013/11/11
CHECKED		TITLE:	LED Tact Switch
APPROVALS		PART NO.	K6-6151D

ECN NO.	REV.	DATE.	DESCRIPTION.	CHANGE.	CHECK.	APPRO.
	A		NEW			
TOLERANCES ARE				30~øL±	±0.30	ANGLE
				10~30	±0.20	UNIT: mm
				5~10	±0.15	SCALE: 1:1
				~5	±0.10	DRAWING NO.
					±2'	SHEET 1 OF 1

