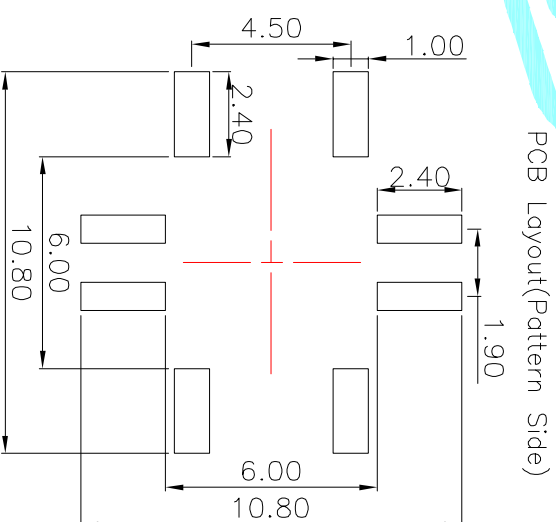
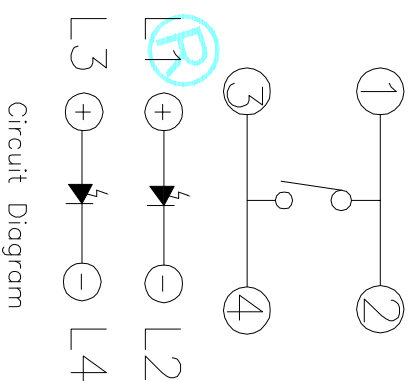


LED colour(LED颜色)	Part No. (料号)
Red(红色)/Blue(蓝色)	K6-6151S01
Red(红色)/Green(绿色)	K6-6151S02



ECN NO.	REV.	DATE.	DESCRIPTION.	CHANGE.	CHECK.	APPRO.
	B					
	A		NEW			

②	Terminal		Phosphor bronze	Au Plating		
①	Housing		Nylon	Black		
ITEM	PART NAME	TERNNO.	QTY.	MATERIAL	FINISHING	REMARK
APPROVALS		DATE				
DRAWN	J.X.Zhang	2013/11/11				
CHECKED						
APPROVALS						
TOLERANCES ARE	30~12.5 ±0.30	ANGLE				
	10~30 ±0.20	UNIT:	mm			
	5~10 ±0.15	SCALE:	1:1			
	~5 ±0.10	DRAWING NO.				

TITLE:	LED Tact Switch
PART NO.	K6-6151S
PROJ.:	
SHEET	1 OF 1

**OKHRO**  
ELECTRONICS CO.,LTD