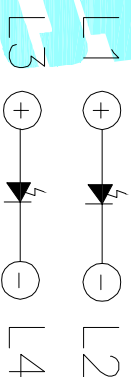
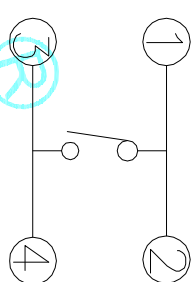
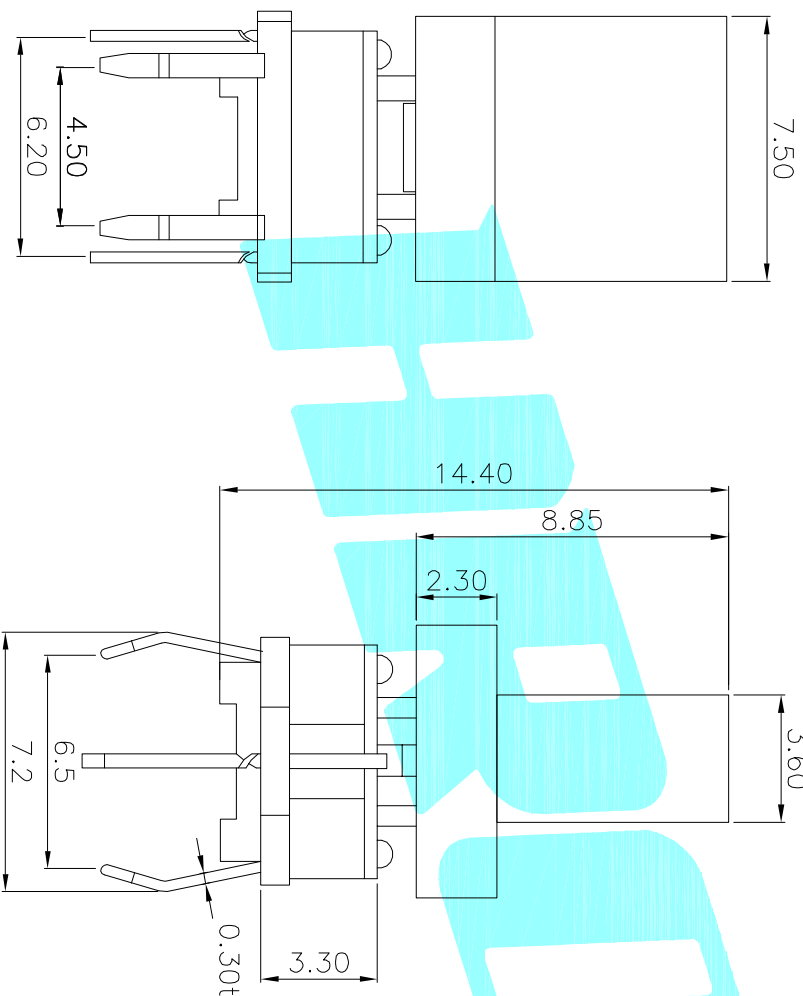
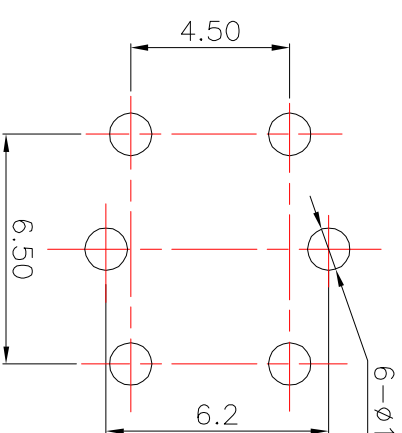


LED colour(LED颜色)	Part No. (料号)
Whiter(白色)	K6-6152D01
Red(红色)	K6-6152D02
Blue(蓝色)	K6-6152D03
Green(绿色)	K6-6152D04



Circuit Diagram

PCBLayout(Pattern Side)



② Terminal	3	Phosphor bronze	Au Plating
① Housing	1	Nylon	Black
ITEM PART NAME	TERN.O.	QTY.	MATERIAL FINISHING
APPROVALS	DATE	REMARK	

DRAWN J.X.Zhang 2013/11/11  
 TITLE: LED Tact Switch  
 ELECTRONICS CO.,LTD

ECN NO.	REV.	DATE.	DESCRIPTION.	CHANGE.	CHECK.	APPRO.
	A		NEW			
TOLERANCES ARE $\begin{matrix} 30\sim 12.5 & \pm 0.30 \\ 10\sim 30 & \pm 0.20 \\ 5\sim 10 & \pm 0.15 \\ \sim 5 & \pm 0.10 \end{matrix}$ ANGLE $\pm 2^\circ$ UNIT: mm SCALE: 1:1 PART NO. K6-6152D PROJ:  SHEET 1 OF 1						