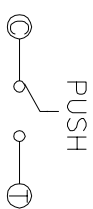


TER	ANG: (20°)	(15°)	(15°)	(20°)
①				
②				
③				

0° (ZZZ=NO)

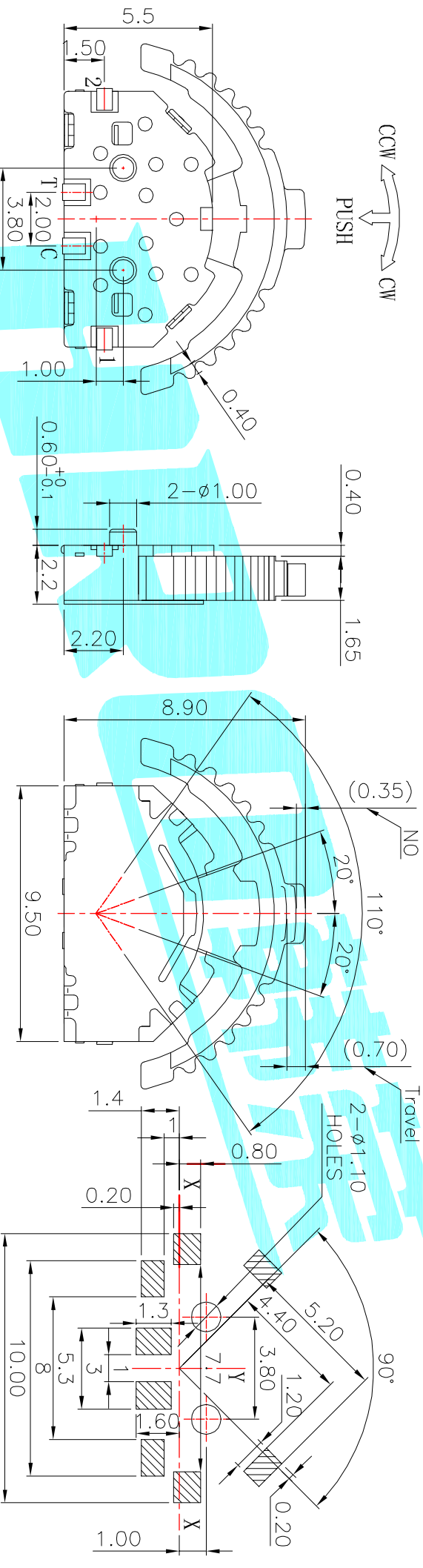
CODE TABLE

CCW → → CW

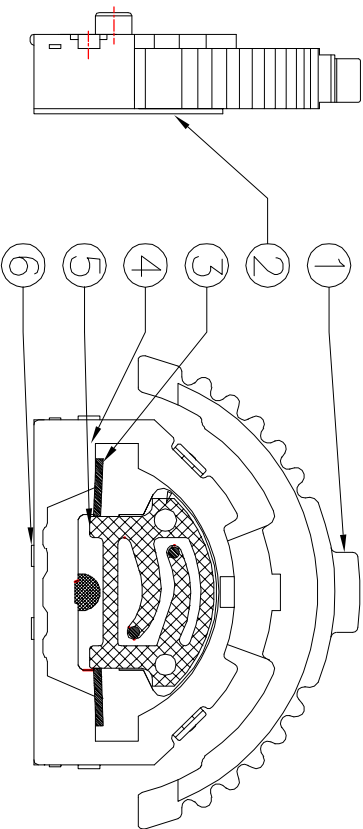


NOTE:
Operating Force:
lever portion 100 ± 30 gf
Push portion 205 ± 50 gf

CCW ↺
PUSH
↻ CW



P.C.B Mounting
Pattern Dimension



ITEM	PART NAME	TER'NO.	QTY.	MATERIAL	FINISHING	REMARK
⑥	Contact	—	1	F.Ag/Brass	—	—
⑤	Terminal	—	4	Brass(0.15t)	Plating silver	—
④	Base	—	1	Nylon	Black	—
③	Spring	—	1	SUS	—	—
②	Cover	—	1	SUS	White	—
①	Keystroke	—	1	Nylon	Black	—

APPROVALS

DRAWN J.X.Zhang 2013/8/6



ELECTRONICS CO.,LTD

CHECKED

APPROVALS

TOLERANCES ARE	30~12.5 ±	±0.30	ANGLE	PART NO.	TITLE:
	10~30	±0.20		K1-1519SA-01	MULTIFUNCTIONAL SWITCHS
	5~10	±0.15		SCALE: 1:1	PROJ: ①
	~5	±0.10		DRAWING NO.	SHEET 1 OF 1

ECN NO.	REV.	DATE.	DESCRIPTION.	CHANGE.	CHECK.	APPRO.
	A		NEW			